

## Spacers For Side Mount Slides

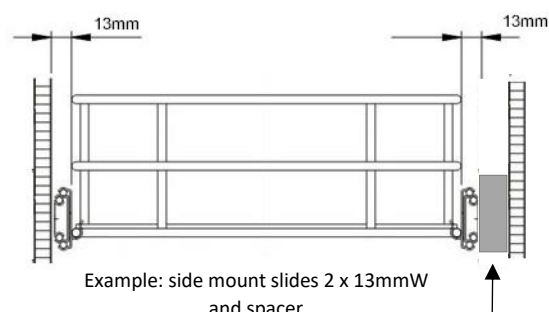
Tansel products are designed to fit into a large range of cabinet sizes. Our side mount slides can be used with spacers to provide maximum flexibility especially if you have a “non standard cabinet”<sup>\*</sup> size. Spacers can be used if there is:

- (1) Residual space that needs to be filled between the cabinet wall and the side mount slide
- (2) Your hinge block is wider than 22mm<sup>\*</sup>
- (3) You have some other obstructions

### SPACER SIZE OPTIONS

Spacers can be used on one or both sides and come in the following sizes:

- a) 4mmW white nylon spacer  
(can also be used as 2 x 4mm to create 8mm spacer)
- b) 11mmW timber baton
- c) 16mmW melamine baton
- d) 18mmW melamine baton



**\* TIP:** If your hinge is wider than 22mm, try placing it below or above the hinge block.

### 4mmW Nylon Spacer

**4W x 25H x 25D mm**

(code: S)

Used to fill small residual spaces between the slide and the cabinet wall. They are suitable for any of our side mount slides and can be joined to make an 8mm spacer. You can use them on one or both sides.



**TIP:** We don't recommend using 3 x 4mm spacers (grouped together), opt for the 11mmW timber baton for better strength.

<sup>\*</sup> What Is a "Standard Cabinet" and "Non Standard Cabinet" Size? Standard cabinet sizes are those with an internal width ending in "67" or "18" (eg. 167, 267, 367mm or 218, 318, 418mm) and your internal depth is 490-590mm. If your cabinet is different to this, you have a non standard cabinet size.

## **11mmW Timber Baton**

**11W x 45H x 450D mm**

(code: BAT.11)

Used to fill small residual spaces between the slide and the cabinet wall. They are suitable for any of our side mount slides and can be used on one or both sides. The baton can also be combined with the 4mmW spacer.



## **16mmW Melamine Baton**

**16W x 45H x 450D mm**

(code: BAT.16)

As with above batons, the 16mmW is used to fill small residual spaces between the slide and the cabinet wall. They are suitable for any of our side mount slides and can be used on one or both sides. The baton can also be combined with the 4mmW spacer.



## **18mmW Melamine Baton**

**18W x 45H x 450D mm**

(code: BAT.18)

As with above batons, the 18mmW is used to fill small residual spaces between the slide and the cabinet wall. They are suitable for any of our side mount slides and can be used on one or both sides. The baton can also be combined with the 4mmW spacer.



## **Other Sizes & Options**

The next option is to use the slide (2 x 35mmW) which includes the 22mm spacer. If you need spacers that are greater than 22mm, you can use:

### **2 x 35mmW slides + any of the above spacers**

Otherwise, opt for a wider basket. If your hinges are excessively wide, try placing it below or above the hinge block. If your door doesn't fully open, you will need wider packing.

If you need further advice, contact us (02) 9440 9800 or [info@tansel.com.au](mailto:info@tansel.com.au).